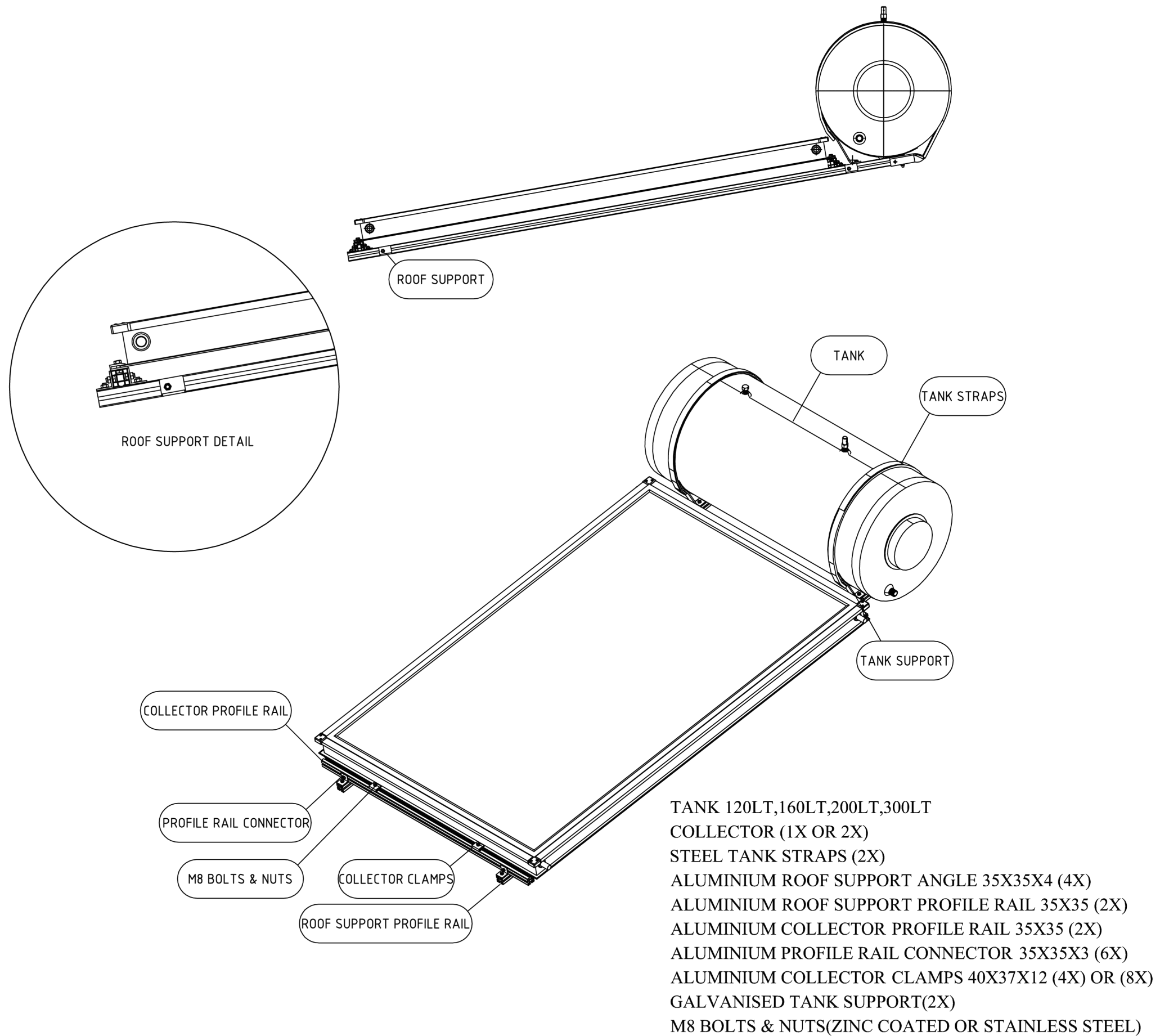


The typhoon set in not included and it is sent only upon request.  
 Το typhoon set δεν συμπεριλαμβάνεται και αποστέλλεται μόνο κατόπιν παραγγελίας.



CYCLONE FIXING FOR  
 HELIOAKMI SOLAR HOT WATER  
 SYSTEMS

PRODUCT NAME:MEGASUN  
 PRODUCT DESCRIPTION:1 PANEL SYSTEM 200LT  
 MANUFACTURER:HELIOAKMI S.A.

DESIGN CRITERIA & LIMITATIONS  
 ROOF PITCH ANGLE: 10°(MIN) - 45°(MAX)  
 MAXIMUM ROOF HEIGHT PERMITTED:8M  
 WIND LOAD PARAMETERS UP TO REGION C  
 BASIC WIND SPEED VZ=57 M/S VP=70 M/S  
 THE ROOF CONSTRUCTION SHOULD TO BE DESIGNED  
 TO ENSURE THAT IT CAN SUPPORT THE TOTAL LOAD  
 OF THE SOLAR HOT WATER UNIT TO BE INSTALLED  
 TOTAL WEIGHT XX KG (120 LT), XX KG (160LT), XX  
 KG(200LT), XX KG (300 LT)  
 NOT SUITABLE FOR INSTALLATION ON FREE ROOFS

IMPORTANT'S NOTES  
 BOLTS & NUTS FOR THE ASSEMBLY OF THE TANK AND  
 THE FRAME PROVIDED BY THE MANUFACTURER.  
 THE INSTALLER IS TO PROVIDE THE BOLTS AND NUTS  
 FOR FIXING THE FRAME TO THE ROOF IN  
 ACCORDANCE WITH THIS DATA SHEET.  
 THE FRAME, TANK AND COLLECTORS MUST BE FASTENED  
 IN ACCORDANCE WITH SUPPLIED INSTRUCTION.  
 ALL BOLTS & NUTS TO BE ZINC COATED OR STAINLESS  
 STEEL COMPATIBLE WITH ROOF SHEETING  
 STEEL STRENGTH IN ACCORDANCE WITH (PENDING)  
 ALUMINIUM MATERIAL (CODE PENDING)

CYCLONE FIXING FOR  
HELIOAKMI SOLAR HOT WATER  
SYSTEMS

PRODUCT NAME:TANK CLAMPING FRAME  
PRODUCT DESCRIPTION:SINGLE COLLECTOR PANEL  
ANTICYCLONE FRAME  
MANUFACTURER:HELIOAKMI S.A.

DESIGN CRITERIA & LIMITATIONS

ROOF PITCH ANGLE: 10°(MIN) - 45°(MAX)  
MAXIMUM ROOF HEIGHT PERMITTED:8M  
WIND LOAD PARAMETERS UP TO REGION C  
BASIC WIND SPEED VZ=57 M/S VP=70 M/S  
THE ROOF CONSTRUCTION SHOULD TO BE DESIGNED  
TO ENSURE THAT IT CAN SUPPORT THE TOTAL LOAD  
OF THE SOLAR HOT WATER UNIT TO BE INSTALLED  
TOTAL WEIGHT XX KG (120LT), XX KG (160LT), XX  
KG(200LT), XX KG (300 LT)  
NOT SUITABLE FOR INSTALLATION ON FREE ROOFS

IMPORTANT NOTES

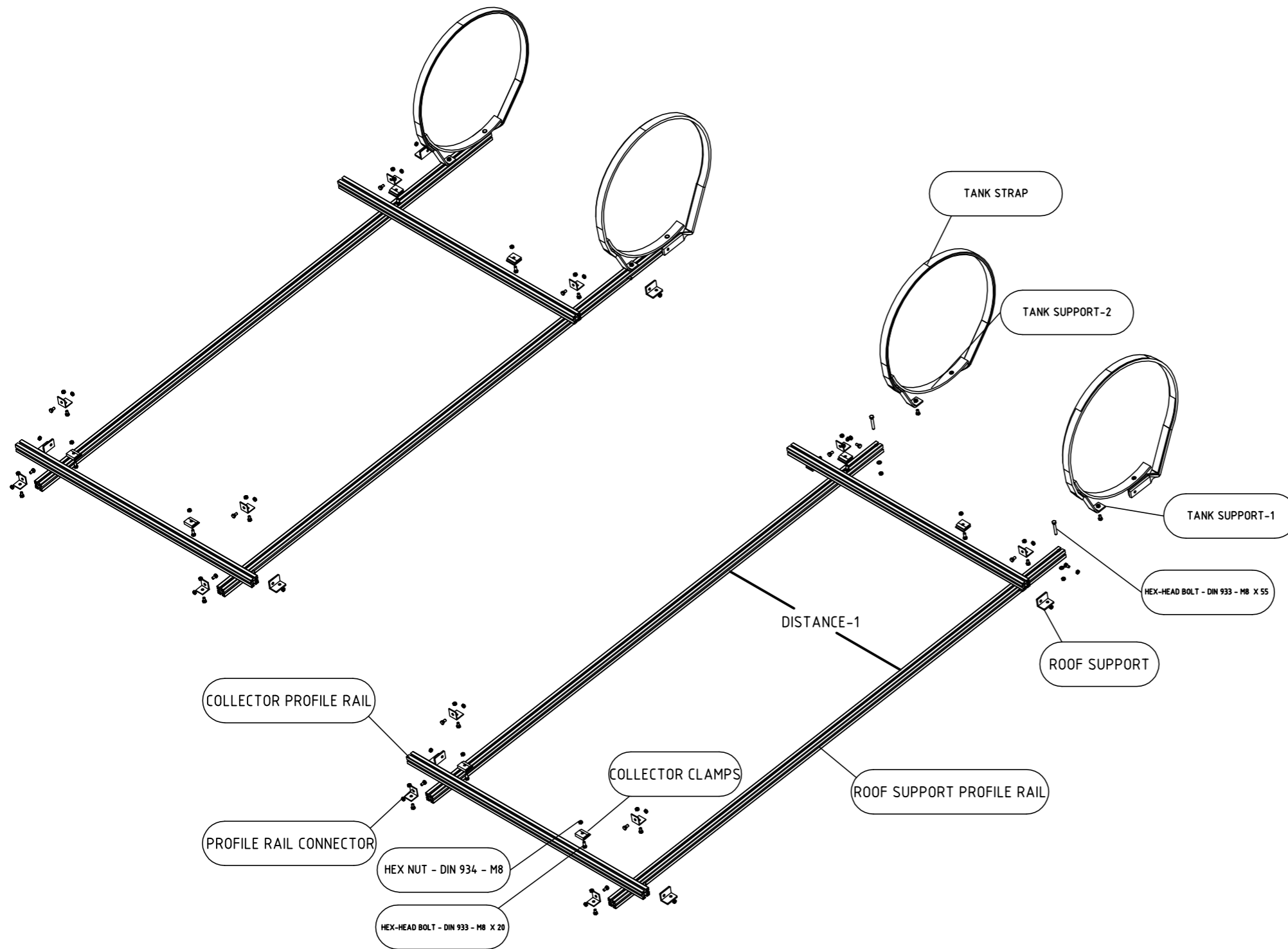
BOLTS & NUTS FOR THE ASSEMBLY OF THE TANK AND  
THE FRAME PROVIDED BY THE MANUFACTURER.  
THE INSTALLER IS TO PROVIDE THE BOLTS AND NUTS  
FOR FIXING THE FRAME TO THE ROOF IN  
ACCORDANCE WITH THIS DATA SHEET.

THE FRAME, TANK AND COLLECTORS MUST BE FASTENED  
IN ACCORDANCE WITH SUPPLIED INSTRUCTION.

ALL BOLTS & NUTS TO BE ZINC COATED OR STAINLESS  
STEEL COMPATIBLE WITH ROOF SHEETING

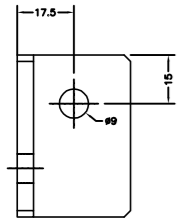
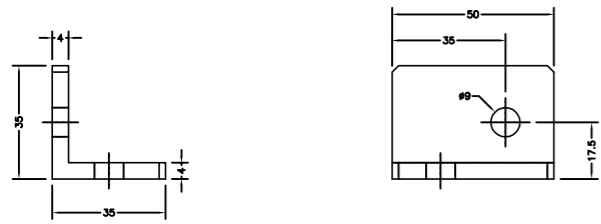
STEEL STRENGTH IN ACCORDANCE WITH (PENDING)  
ALUMINIUM MATERIAL (CODE PENDING)

NOTICE DURING INSTALLATION DISTANCE-1 TO BE  
ABOUT 900mm(±50 mm)

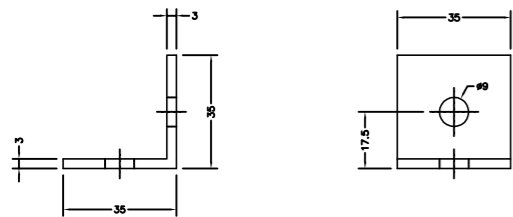


- ALUMINIUM ROOF SUPPORT ANGLE 35X35X4 L=50 mm(4X)
- ALUMINIUM ROOF SUPPORT PROFILE RAIL 35X35 (2X) L=2360 mm
- ALUMINIUM COLLECTOR PROFILE RAIL 35X35 (2X) L=1000mm  
FOR TANK CAPACITY 120LT,160LT,200LT OR L=1800mm FOR  
TANK CAPACITY 300LT WITH 2 COLLECTORS
- ALUMINIUM PROFILE RAIL CONNECTOR 35X35X3 (6X)
- ALUMINIUM COLLECTOR CLAMPS 40X37X12 (4X) FOR TANK CAPACITY  
UP TO 200LT OR (8X) FOR TANK CAPACITY 300LT WITH 2 COLLECTORS
- GALVANISED TANK SUPPORT-1(2X)
- GALVANISED TANK SUPPORT-2(2X)
- STEEL TANK STRAPS (2X) L=1600 mm
- M8 BOLTS & NUTS(ZINC COATED OR STAINLESS STEEL)

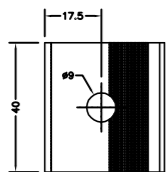
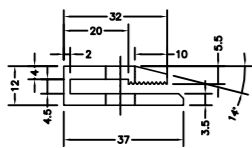
ALUMINIUM ROOF SUPPORT  
ANGLE 35X35X4 (4X)



ALUMINIUM PROFILE RAIL  
CONNECTOR 35X35X3 (6X)



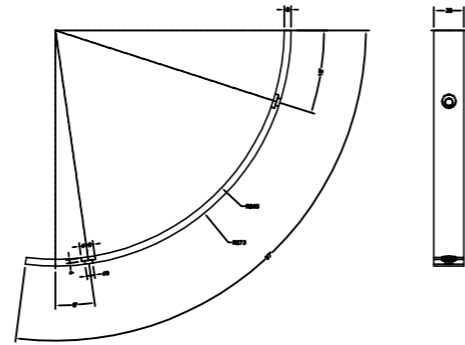
ALUMINIUM COLLECTOR CLAMPS 40X37X12 (4X)  
FOR TANK CAPACITY UP TO 200LT OR (8X) FOR  
TANK CAPACITY 300LT



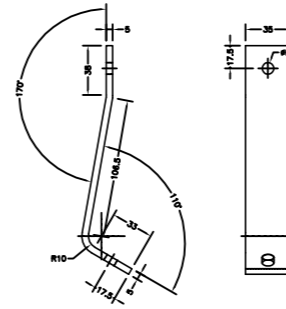
ALUMINIUM ROOF SUPPORT PROFILE  
RAIL 35X35 (2X) L=2360 mm



ALUMINIUM COLLECTOR PROFILE RAIL 35X35 (2X) L=1000mm  
FOR TANK CAPACITY UP TO 200LT OR L=1700mm FOR TANK  
CAPACITY 300LT WITH 2 COLLECTORS



GALVANISED TANK  
SUPPORT-2(2X)



GALVANISED TANK  
SUPPORT-1(2X)

STEEL TANK STRAPS  
(2X) L=1600 mm



CYCLONE FIXING FOR  
HELIOAKMI SOLAR HOT WATER  
SYSTEMS

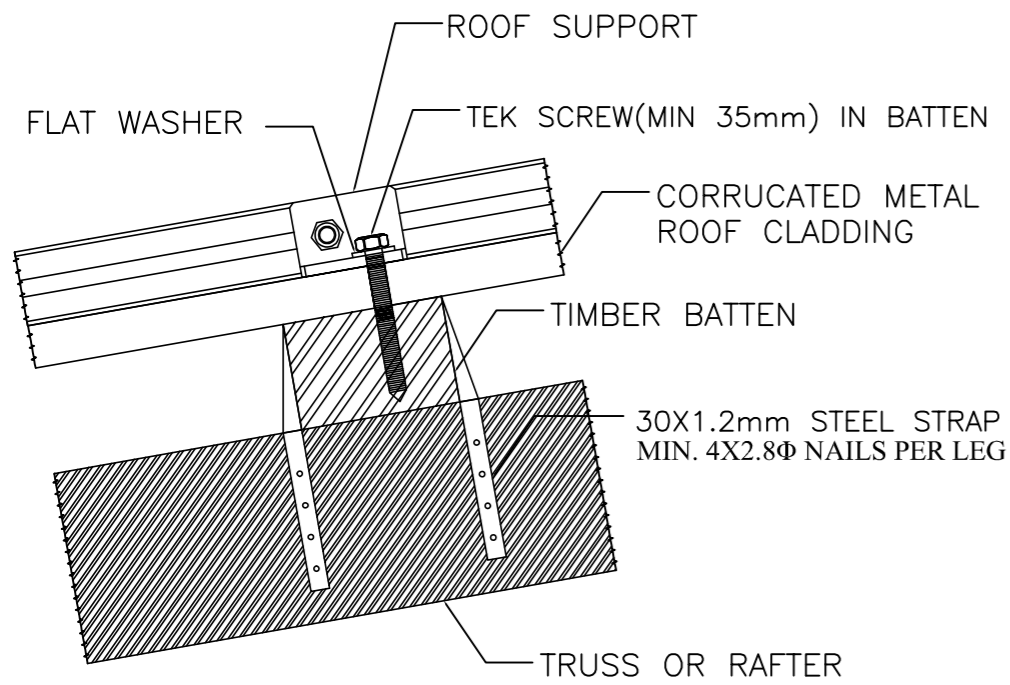
PRODUCT NAME:MEGASUN  
PRODUCT DESCRIPTION:SINGLE COLLECTOR PANEL  
ANTICYCLONE FRAME  
MANUFACTURER:HELIOAKMI S.A

DESIGN CRITERIA & LIMITATIONS

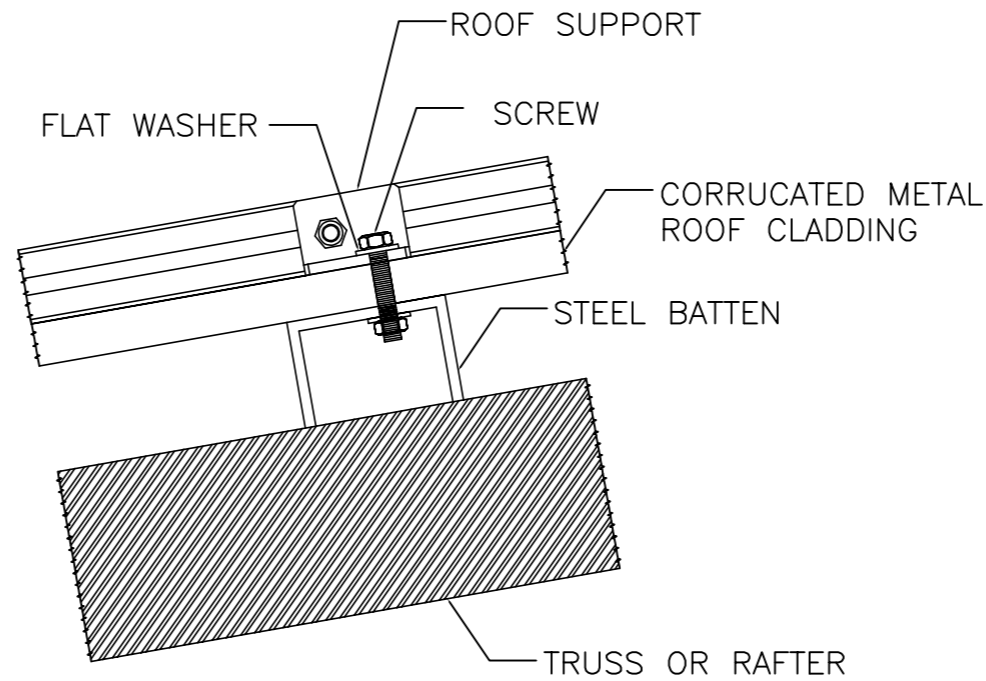
ROOF PITCH ANGLE: 10°(MIN) - 45°(MAX)  
MAXIMUM ROOF HEIGHT PERMITTED:8M  
WIND LOAD PARAMETERS UP TO REGION C  
BASIC WIND SPEED VZ=57 M/S VP=70 M/S  
THE ROOF CONSTRUCTION SHOULD TO BE DESIGNED  
TO ENSURE THAT IT CAN SUPPORT THE TOTAL LOAD  
OF THE SOLAR HOT WATER UNIT TO BE INSTALLED  
TOTAL WEIGHT XX KG (120 LT), XX KG (160LT), XX  
KG(200LT), XX KG (300 LT)  
NOT SUITABLE FOR INSTALLATION ON FREE ROOFS

IMPORTANT NOTES

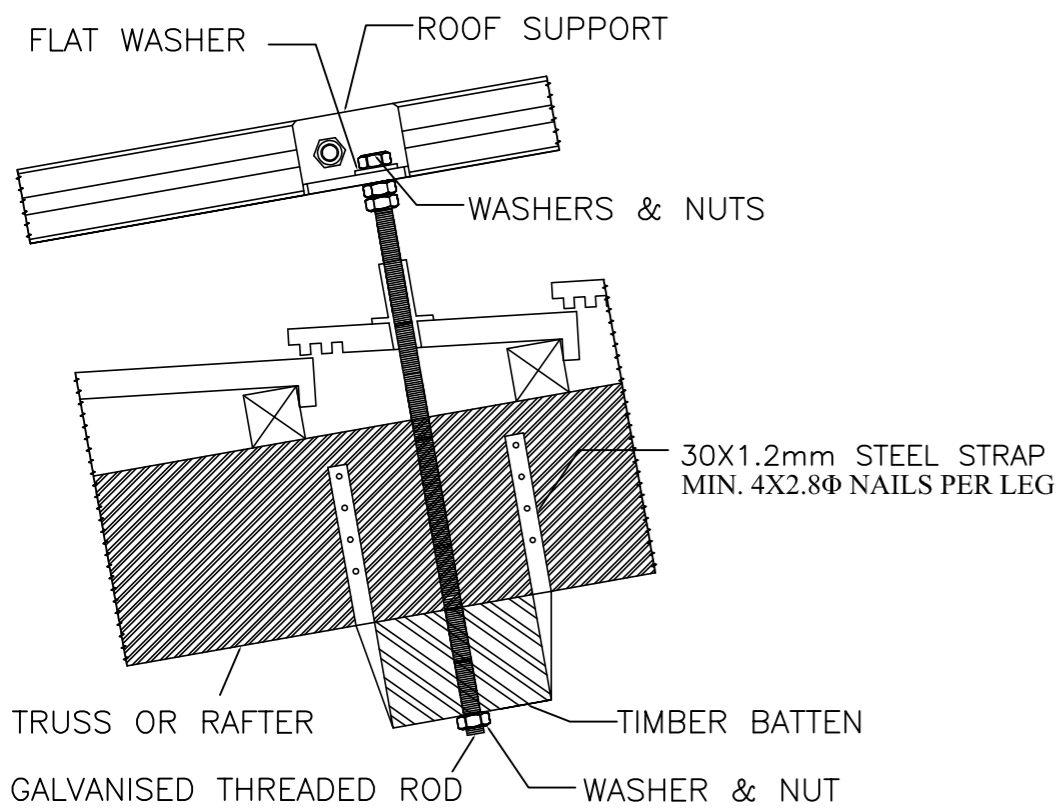
BOLTS & NUTS FOR THE ASSEMBLY OF THE TANK AND  
THE FRAME PROVIDED BY THE MANUFACTURER.  
THE INSTALLER IS TO PROVIDE THE BOLTS AND NUTS  
FOR FIXING THE FRAME TO THE ROOF IN  
ACCORDANCE WITH THIS DATA SHEET.  
THE FRAME, TANK AND COLLECTORS MUST BE FASTENED  
IN ACCORDANCE WITH SUPPLIED INSTRUCTION.  
ALL BOLTS & NUTS TO BE ZINC COATED OR STAINLESS  
STEEL COMPATIBLE WITH ROOF SHEETING  
STEEL STRENGTH IN ACCORDANCE WITH (PENDING)  
ALUMINIUM MATERIAL (CODE PENDING)



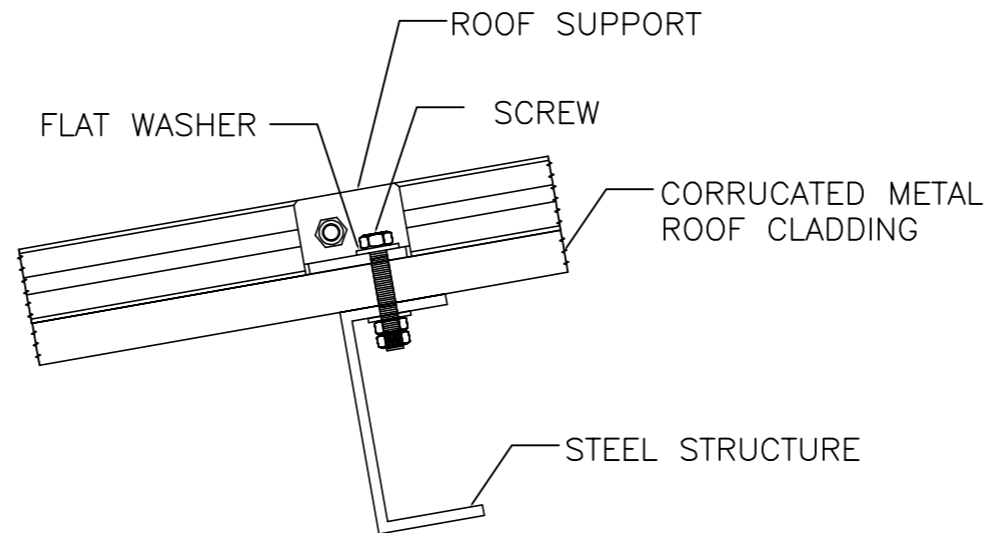
SHEET ROOF WITH TIMBER BATTENS



SHEET ROOF WITH STEEL BATTENS



TILE ROOF WITH TIMBER BATTENS



SHEET ROOF WITH STEEL STRUCTURE

CYCLONE FRAME FIXING DETAIL

PRODUCT NAME:MEGASUN  
 PRODUCT DESCRIPTION:ANTICYCLONE  
 MOUNTING FIXING DETAIL  
 MANUFACTURER:HELIOAKMI S.A.

DESIGN CRITERIA & LIMITATIONS  
 ROOF PITCH ANGLE: 10°(MIN) - 45°(MAX)  
 MAXIMUM ROOF HEIGHT PERMITTED:8M  
 WIND LOAD PARAMETERS UP TO REGION C  
 BASIC WIND SPEED VZ=57 M/S VP=70 M/S  
 THE ROOF CONSTRUCTION SHOULD TO BE DESIGNED  
 TO ENSURE THAT IT CAN SUPPORT THE TOTAL LOAD  
 OF THE SOLAR HOT WATER UNIT TO BE INSTALLED  
 TOTAL WEIGHT XX KG (120 LT), XX KG (160LT), XX  
 KG(200LT), XX KG (300 LT)  
 NOT SUITABLE FOR INSTALLATION ON FREE ROOFS

IMPORTANT NOTES  
 BOLTS & NUTS FOR THE ASSEMBLY OF THE TANK AND  
 THE FRAME PROVIDED BY THE MANUFACTURER.  
 THE INSTALLER IS TO PROVIDE THE BOLTS AND NUTS  
 FOR FIXING THE FRAME TO THE ROOF IN  
 ACCORDANCE WITH THIS DATA SHEET.  
 THE FRAME, TANK AND COLLECTORS MUST BE FASTENED  
 IN ACCORDANCE WITH SUPPLIED INSTRUCTION.  
 ALL BOLTS & NUTS TO BE ZINC COATED OR STAINLESS  
 STEEL COMPATIBLE WITH ROOF SHEETING  
 STEEL STRENGTH IN ACCORDANCE WITH (PENDING)  
 ALUMINIUM MATERIAL (CODE PENDING)

CYCLONE TANK FIXING DETAIL

PRODUCT NAME:MEGASUN  
 PRODUCT DESCRIPTION:ANTICYCLONE TANK  
 MOUNTING FIXING DETAIL  
 MANUFACTURER:HELIOAKMI S.A.

DESIGN CRITERIA & LIMITATIONS  
 ROOF PITCH ANGLE: 10°(MIN) - 45°(MAX)  
 MAXIMUM ROOF HEIGHT PERMITTED:8M  
 WIND LOAD PARAMETERS UP TO REGION C  
 BASIC WIND SPEED VZ=57 M/S VP=70 M/S  
 THE ROOF CONSTRUCTION SHOULD TO BE DESIGNED TO ENSURE THAT IT CAN SUPPORT THE TOTAL LOAD OF THE SOLAR HOT WATER UNIT TO BE INSTALLED  
 TOTAL WEIGHT XX KG (120 LT), XX KG (160LT), XX KG(200LT), XX KG (300 LT)  
 NOT SUITABLE FOR INSTALLATION ON FREE ROOFS

IMPORTANT NOTES  
 BOLTS & NUTS FOR THE ASSEMBLY OF THE TANK AND THE FRAME PROVIDED BY THE MANUFACTURER.  
 THE INSTALLER IS TO PROVIDE THE BOLTS AND NUTS FOR FIXING THE FRAME TO THE ROOF IN ACCORDANCE WITH THIS DATA SHEET.  
 THE FRAME, TANK AND COLLECTORS MUST BE FASTENED IN ACCORDANCE WITH SUPPLIED INSTRUCTION.  
 ALL BOLTS & NUTS TO BE ZINC COATED OR STAINLESS STEEL COMPATIBLE WITH ROOF SHEETING  
 STEEL STRENGTH IN ACCORDANCE WITH (PENDING)  
 ALUMINIUM MATERIAL (CODE PENDING)

